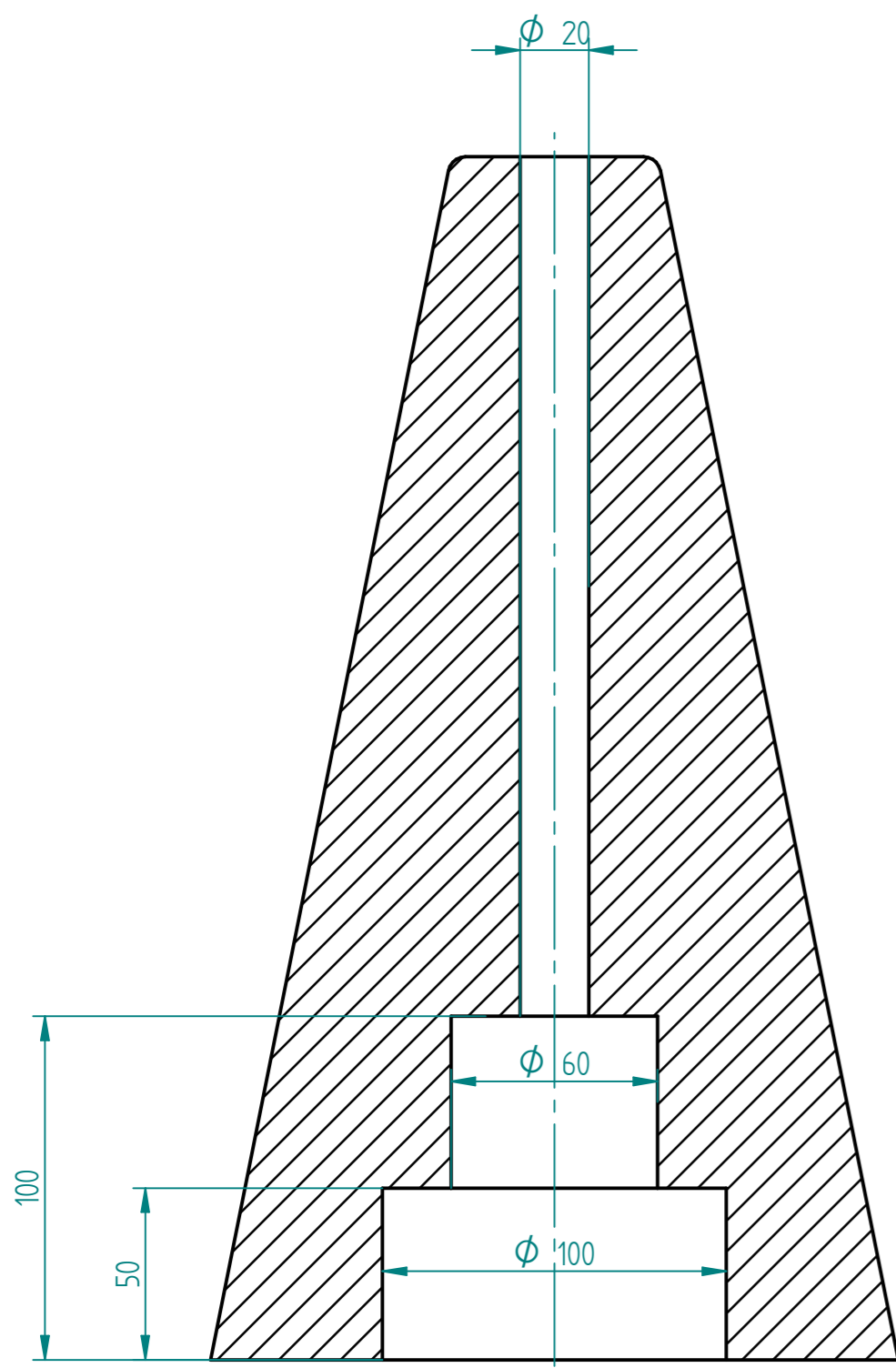
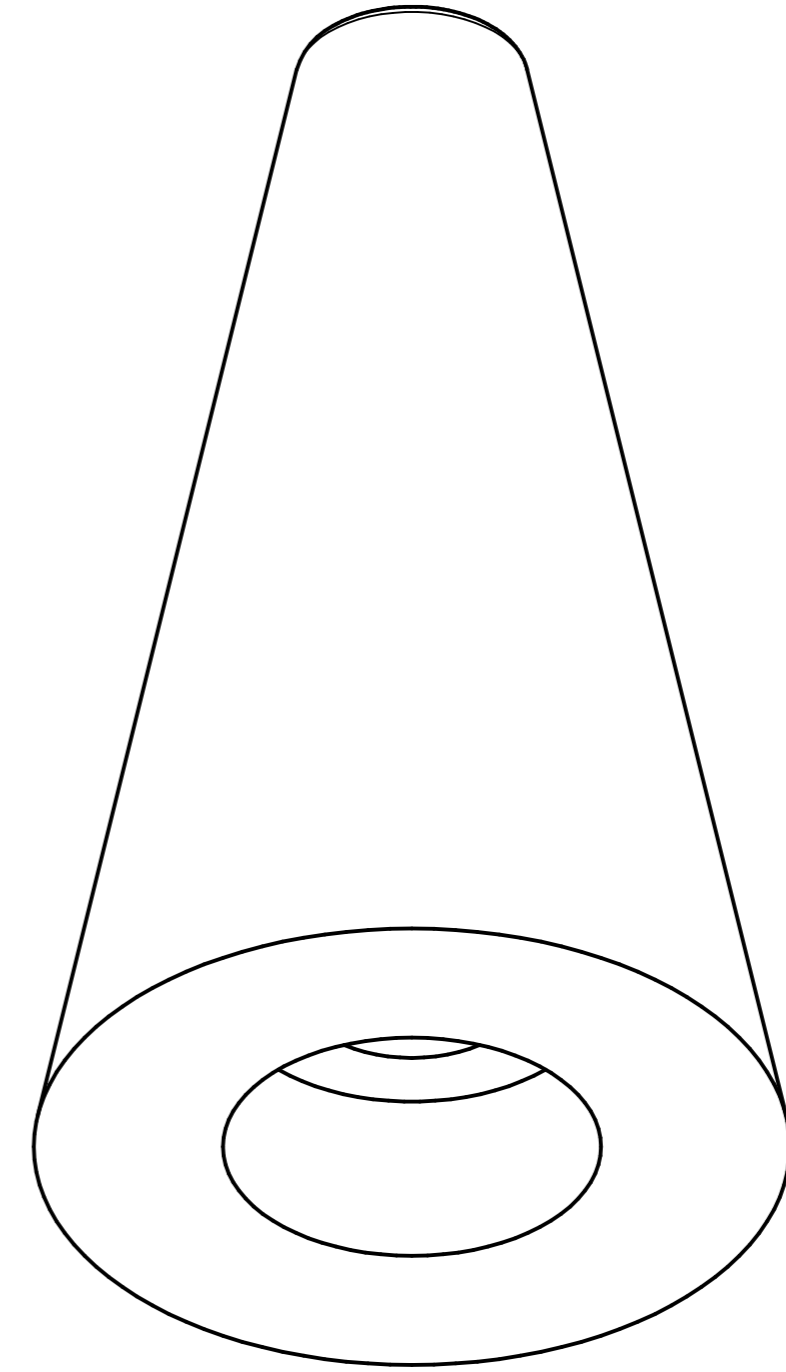
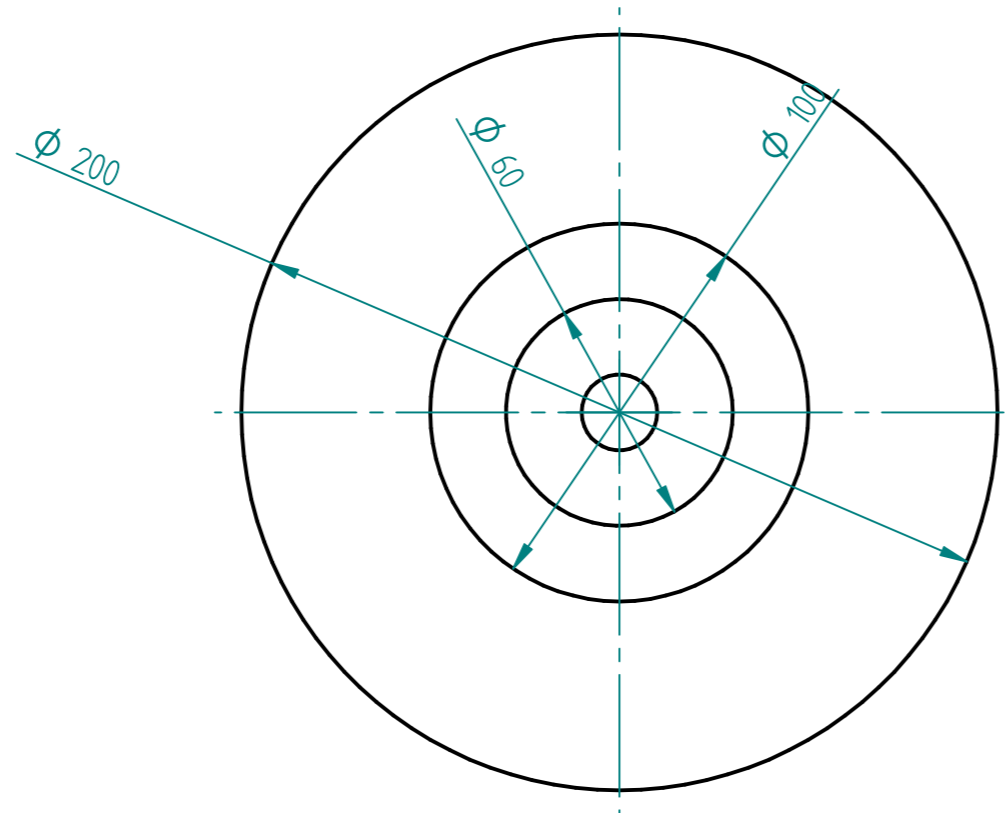
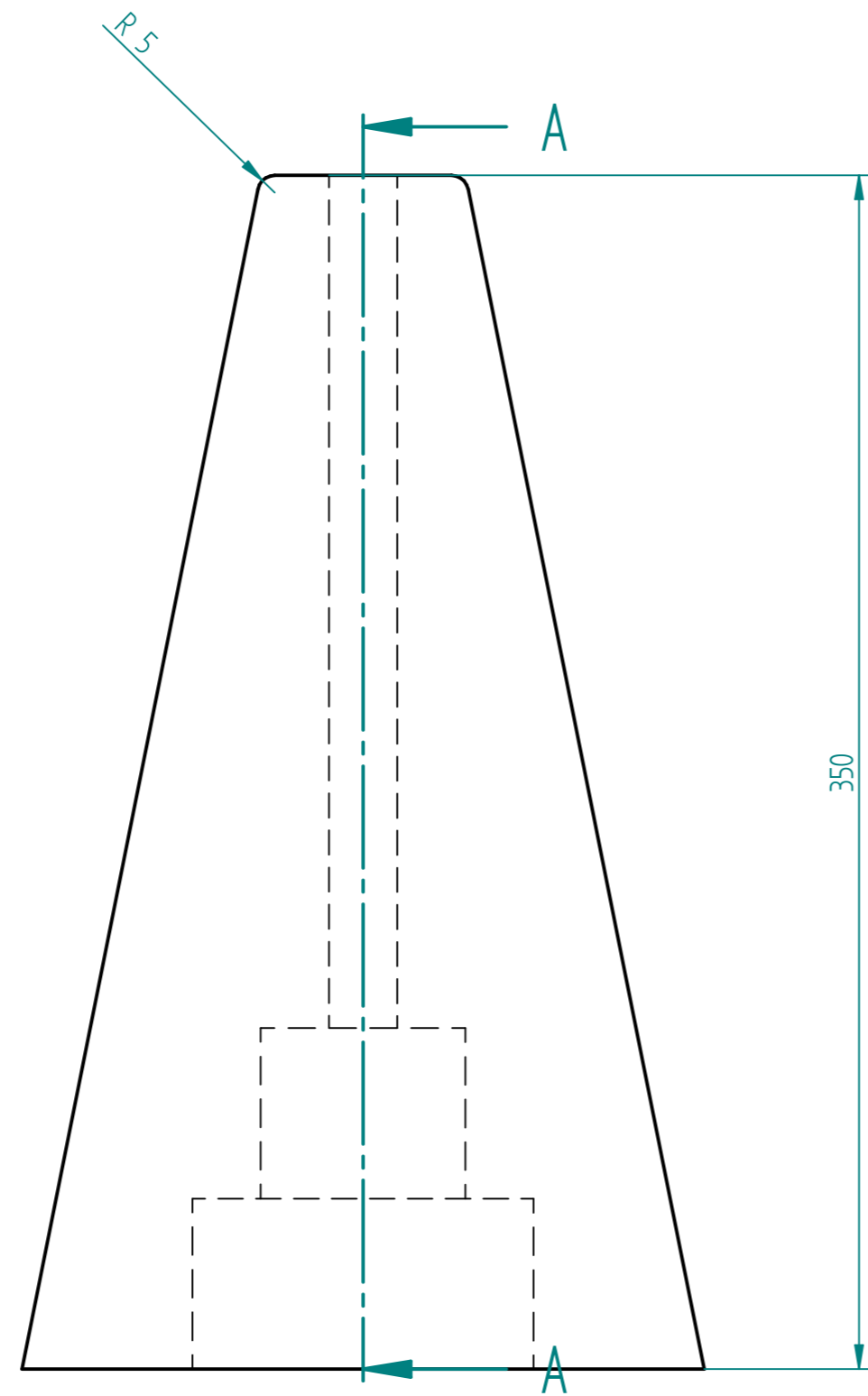


REVISION HISTORY			
REV	DESCRIPTION	DATE	APPROVED



SECTION A-A



SOLID EDGE ACADEMIC COPY

	NAME	DATE	Solid Edge		
DRAWN	user	01/08/16			
CHECKED			TITLE		
ENG APPR					
MGR APPR			SIZE	DWG NO	REV
UNLESS OTHERWISE SPECIFIED DIMENSIONS ARE IN MILLIMETERS ANGLES ±X.X° 2 PL ±XXX 3 PL ±XXXX			A2		
			FILE NAME: ornament.dft		
			SCALE:	WEIGHT:	SHEET 1 OF 1